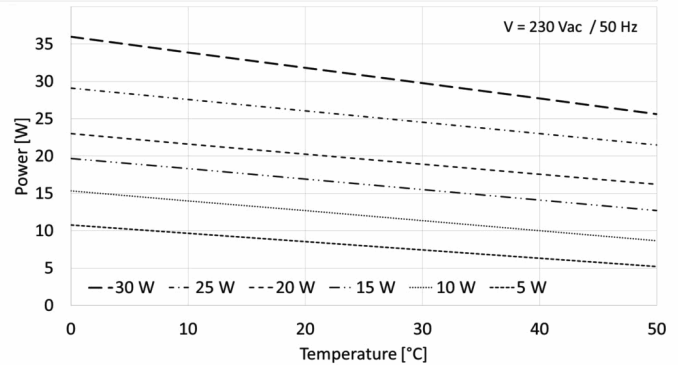
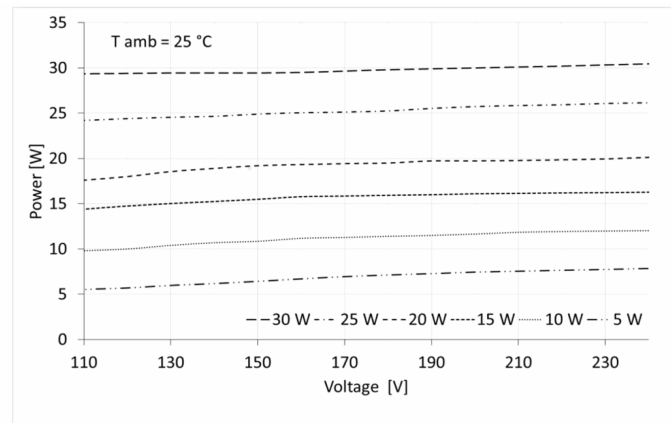
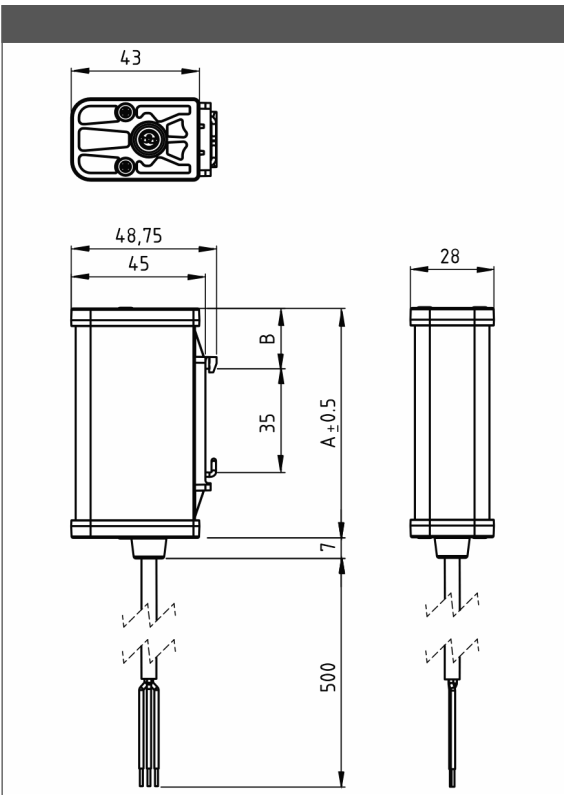


"HWM" HEATERS WITH CABLE

Description: **metal cover**



Heating element:	PTC thermistor, self regulating
Heat sink:	black anodised extruded aluminium profile
Cover material:	black anodised aluminium
Method of mounting:	snap-on fixing on RAIL 35mm EN 50022
Rated temperature range:	from -30°C to +50°C
Storage temp. range	from -40°C to +70°C
Protection degree by heaters:	IP20
Electrical connection:	by 3 poles cable L-N-PE
External cable:	3 x 0.50 mm ² cable 500 mm lenght, with silicone rubber insulation and external sheath class I
Appliance class:	class I
Rated frequency:	50/60 Hz
Max voltage:	265 V a.c./d.c.
Applicable standards:	EN 60335-1
Approvals:	CE



Model	Dimension		Heating Power [W]	I max* [A]	Rated voltage [V]	Weight [Kg]	Approvals
	A [mm]	B [mm]					
HWM015X	78	20.5	15	2.2	110-240 V a.c./d.c.	0.110	CE;
HWM030X	108	35.5	30	1.1	110-240 V a.c./d.c.	0.150	CE;

* Maximum transient current within 2 seconds after power on, at worst case (-30°C ambient condition). These values have an uncertainty of 10%.