

SPECIFICATION FOR APPROVAL

CUSTOMER :
DESCRIPTION : AXIAL AC FAN
DIMENSIONS : 80X80X25 mm
MODEL : SF23080AT
P/N : 2082HSL
APPROVED NO :
(AUTHORZIED)
APPROVED BY :



DAWN.	張育真	CHKD.	張育真	APPD.	[Signature]	SPEC. NO.	282127300
						ISSUE DATE	03.21.1996
						EDITION	0
						REVISE DATE	

建準電機工業股份有限公司
SUNONWEALTH ELECTRIC MACHINE INDUSTRY CO., LTD.
12FL., 120 CHUNG CHENG 1ST RD., TEL:886-7-7163069(41 LINES)
KAOHSIUNG, TAIWAN, R. O. C. FAX:886-7-7163086~89

AXIAL AC FAN

MODEL : SF23080AT

P/N : 2082HSL

CHARACTERISTICS

- 1. Motor Design : Reliable Shaded-Pole Motor Construction.
- 2. Insulation Resistance : 500 Megohms minimum at 500 VDC.
- 3. Dielectric Strength : 1500 VAC for one minute.
- 4. Motor Protection : Impedence protected.
- 5. Noise Level : Measured in an semi-anechoic chamber with background noise level below 15 dBA. The fan is running in free air with microphone at a distance of one meter from the fan intake.
- 6. Air Performance : Measured by a double chamber. The value are recorded when the fan speed is stabilized at rated voltage.
- 7. Tolerances : $\pm 15\%$ on rated power and current.



建準電機工業股份有限公司 SUNONWEALTH ELECTRIC MACHINE INDUSTRY CO., LTD.	SPEC. NO.	282127300	REVISE DATE	
	ISSUE DATE	03. 21. 1996	EDITION	0
	PAGE	2 OF 5		

SPECIFICATIONS

MODEL: SF23080AT

P/N : 2082HSL

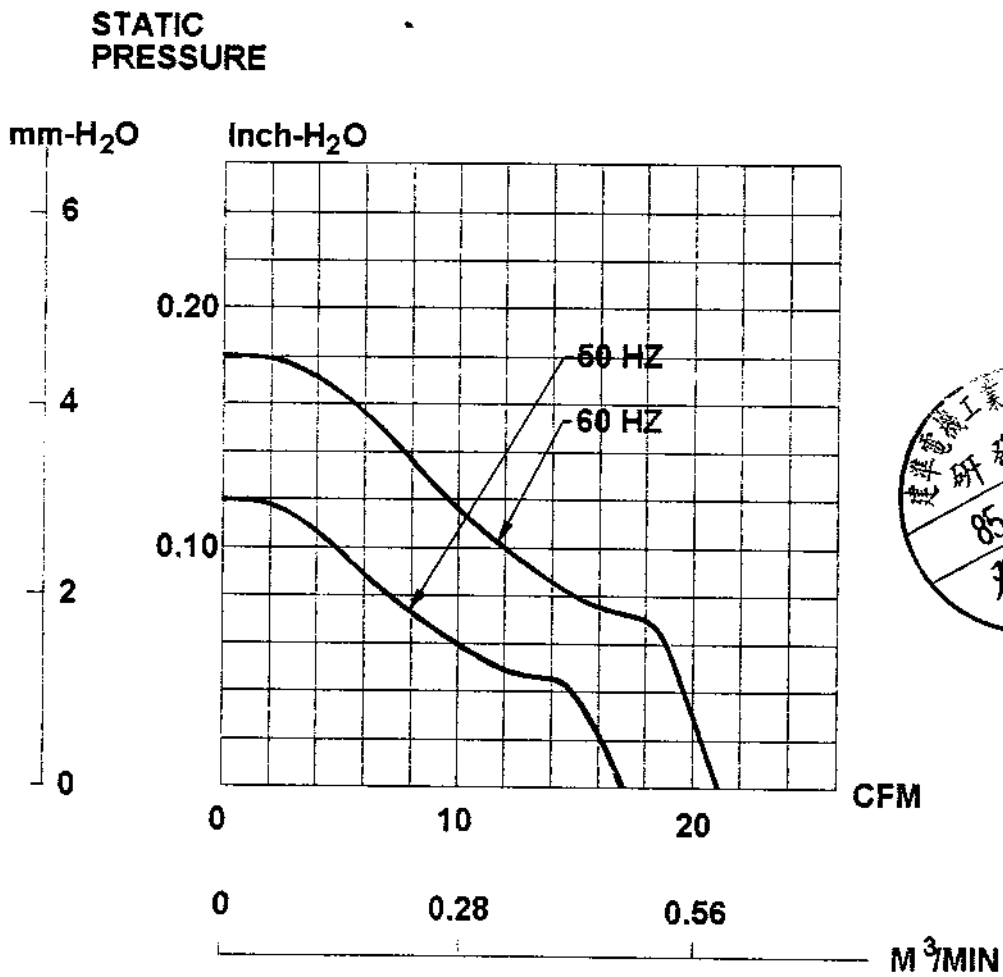
- 1-1. Rated Voltage : 220/240 VAC 50/60 HZ
- 1-2. Operating Voltage Range : 185-245 VAC
- 1-3. Starting Voltage : 185 VDC
- 1-4. Rated Speed : 2300/2750 RPM \pm 5%
- 1-5. Air Delivery : 17/21 CFM
- 1-6. Static Pressure : 0.12/0.18 Inch-H₂O
- 1-7. Rated Current : 0.07/0.07 AMP
- 1-8. Input Power : 14/13.5 WATTS
- 1-9. Noise Level : 29/33 dB(A)
- 1-10. Direction of Rotation : Clockwies viewed from front face
- 1-11. Motor Protection : Impredance Protected
- 1-12. Operating Temperature : -10 to +72 Deg.C
- 1-13. Storage Temperature : -40 to +80 Deg.C
- 1-14. Bearing System : Lubricated sleeve bearing system
- 1-15. Weight : 260 g
- 1-16. Safety : UL/CSA Approvals



MODEL: SF23080AT

P/N : 2082HSL

PERFORMANCE CURVES



建準電機工業股份有限公司 SUNONWEALTH ELECTRIC MACHINE INDUSTRY CO., LTD.	SPEC. NO.	282127300	REVISE DATE	
	ISSUE DATE	03. 21. 1996	EDITION	0
	PAGE	4 OF 5		

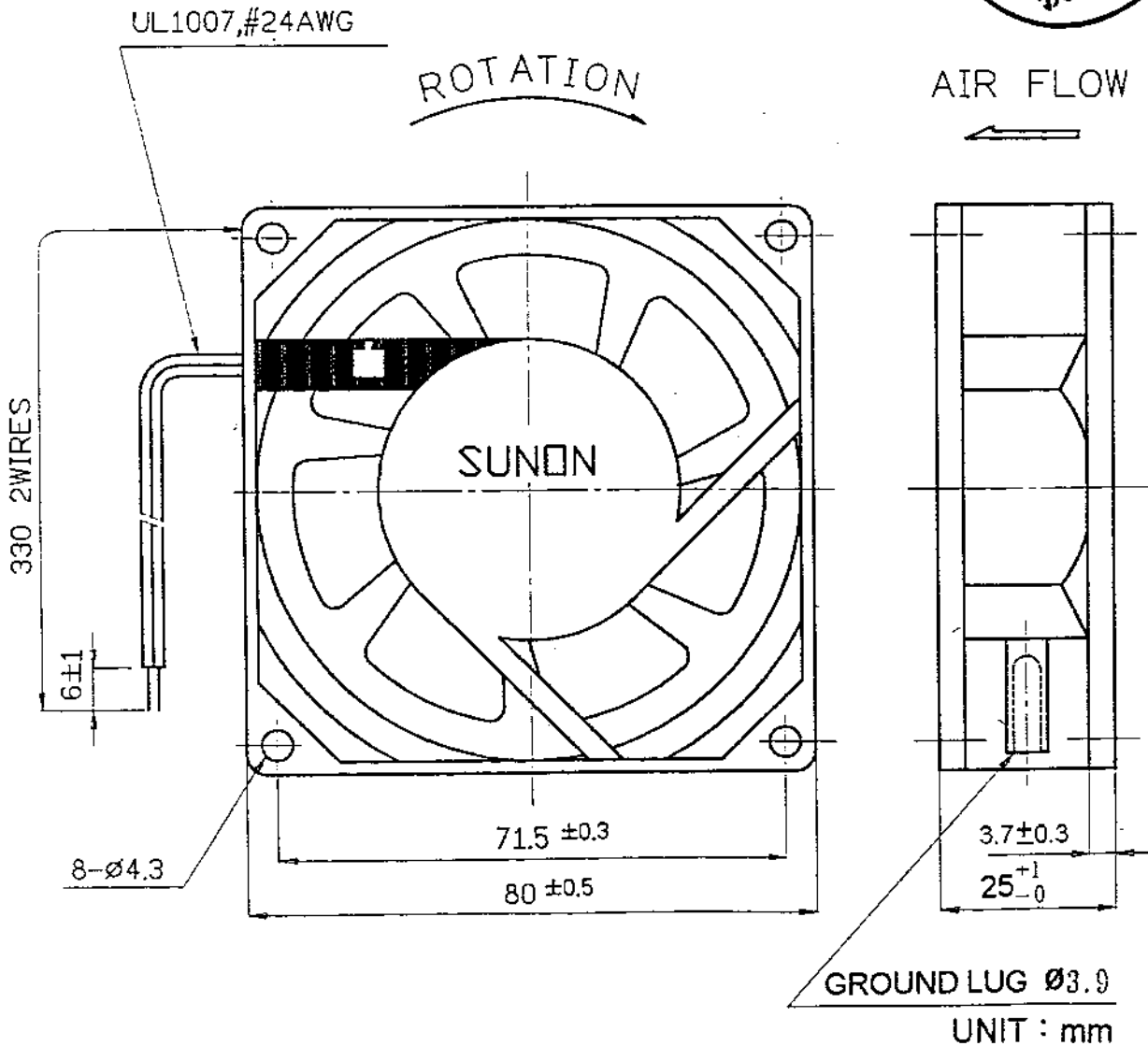
MATERIAL

2. Material

- 2-1 Frame : Thermoplastic PBT of UL 94V-0
- 2-2. Impeller : Thermoplastic PBT of UL 94V-0
- 2-3. Lead Wire : UL1007,24AWG



DIMENSIONS



建準電機工業股份有限公司
 SUNONWEALTH ELECTRIC
 MACHINE INDUSTRY CO., LTD.

SPEC. NO.	282127300	REVISE DATE	
ISSUE DATE	03. 21. 1996	EDITION	0
PAGE	5 OF 5		