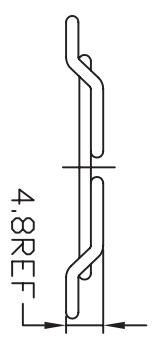
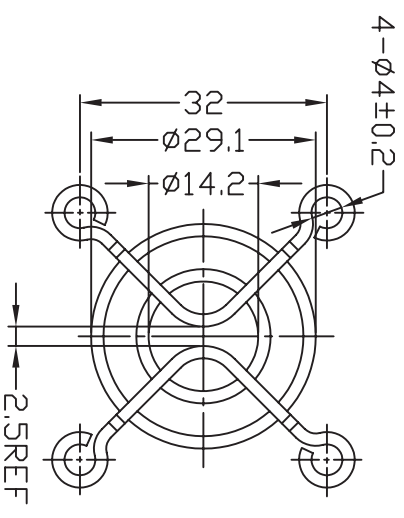


EDITION	DATE	REVISION RECORD	REVISION NO.	APPROVED



- NOTES:
1. MATERIAL: C1008 BRIGHT BASIC WIRE.
  2. FINISH: BRIGHT NICKEL CHROME. C+3
  3. (1) RINGS ARE  $\phi$  1.6mm.  
(2) RIBS ARE  $\phi$  1.6mm.
  4. WELD JOINTS TO WITHSTAND 88 LBS PULL FORCE.
  5. SPACING BETWEEN RINGS TO BE EQUIDISTANT 4.25mm.
  6. GENERAL TOLERANCE UNLESS NOTED:  $\pm$ 0.5mm.
  7. UNIT: mm.

APPROVED	CHECKED	DESIGNED	DRAWN	MATERIAL	SEE NOTES	TITLE	FAN GUARD
SCALE		1 / 1		FINISH	SEE NOTES	PART NO.	REV
DRAWING DATE							